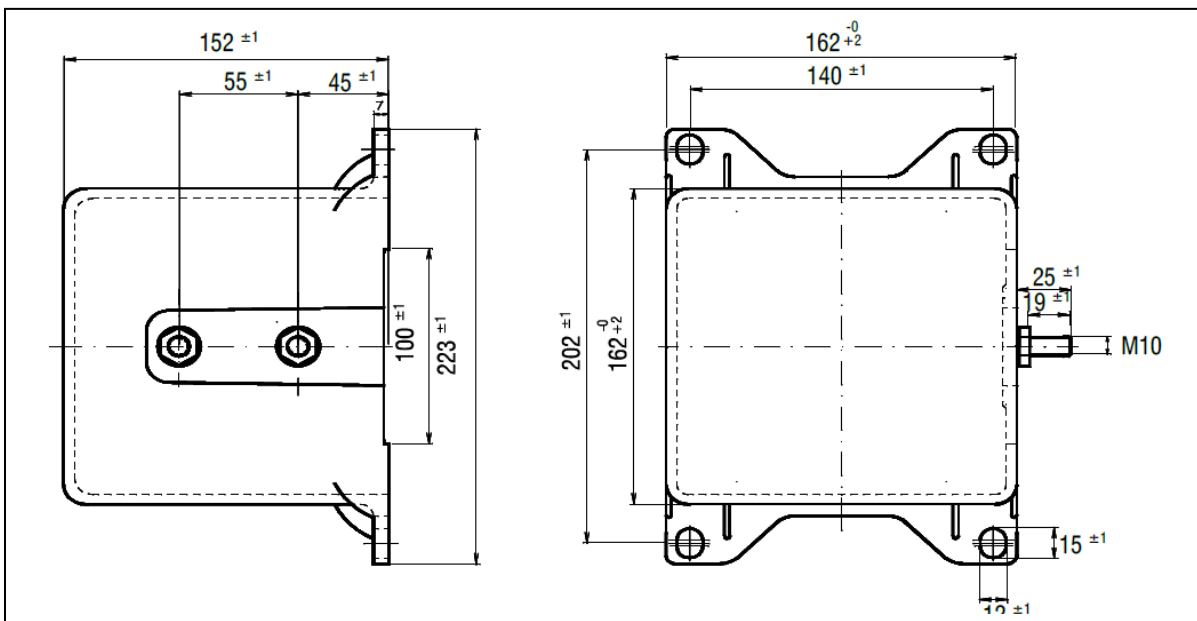


- Plastic case box, self-extinguishing
- Sealed with polyurethanic resin UL94 V0, low smoke
- Screw terminals M10
- Distance between terminals 55mm

APPLICATIONS

Replacement of electrolytic capacitors by metallized polypropylene film capacitors in DC link applications. All cases where high capacitance and high voltage are requested, i.e. DC applications as filtering and commutation circuit, high current, high frequency applications.



SPECIFICATIONS

Temperature range	-25°C +70°C
Rated frequency	50 Hz
Rated DC Voltage	up to 5000 V DC
Max ripple voltage -rms	up to 200 V AC
Max ripple current	up to 120A
Tolerance	±10%
Self inductance	up to 30 nH
Test voltage between terminals	1.5 x V DC 10"
Test voltage terminal to case	5000 V AC 3"
Max torque on terminal M10	20Nm Lstandard=25mm

Reference Standard EN 61071-1

USEFUL LIFE

Expected life at 70°C	100000 hours
Failure rate	200 FIT (200*10 ⁻⁹ /h)

STANDARD RATINGS

Cap μF	D x L x H mm	Vr DC	dV/dt max V/μS	I _{rmax} A	R _s mΩ	PART NUMBER
50	162x223x152	5000	160	60	≤3	K3350150000K0K152
100	162x223x152	3500	100	60	≤3	K3335110100K0K152
150	162x223x152	2700	33	120	≤1	K3327115100K0K152
200	162x223x152	2200	27	120	≤1	K3322120100K0K152
300	162x223x152	2000	22	120	≤1	K3320130100K0K152
350	162x223x152	1800	20	120	≤1	K3318135100K0K152
500	162x223x152	1500	17.5	120	≤1	K3315150100K0K152
600	162x223x152	1300	16	120	≤1	K3313160100K0K152
650	162x223x152	1300	16	120	≤1	K3313165100K0K152
800	162x223x152	1100	13	120	≤1	K3311180100K0K152
900	162x223x152	1100	13	120	≤1	K3311190100K0K152
1000	162x223x152	1100	12	120	≤1	K3311110200K0K152
1300	162x223x152	900	11	120	≤1	K3390013200K0K152
2000	162x223x152	700	8	120	≤1	K3370020200K0K152

PLEASE TO CONTACT OUR TECHNICAL SERVICE FOR MORE INFORMATION OR SPEC-IN ANALYSIS